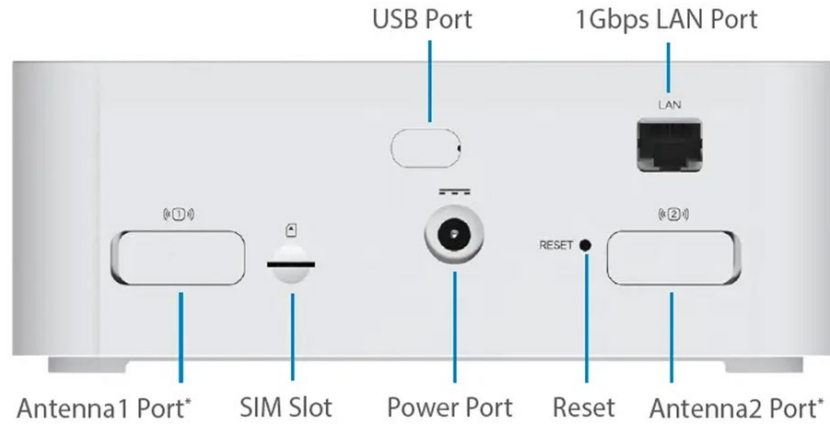


Inseego Wavemaker FX2000 / FX2000e External Antenna Ports

Requires TS-9 Antenna Connector Ends.

[See All Antennas for Inseego FX2000](#)



FX2000 - Single SIM
2x2 MIMO Antenna Kit

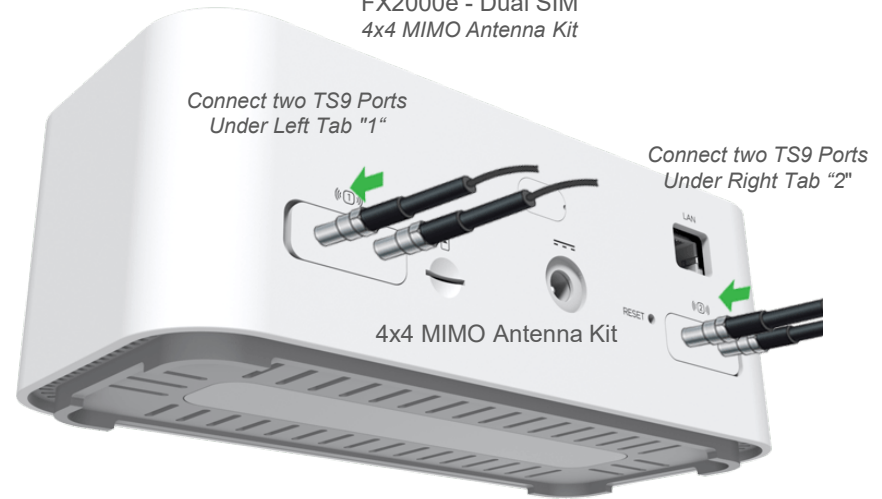
Connect two TS-9 Ports
Under Left Tab "1"



FX2000e - Dual SIM
4x4 MIMO Antenna Kit

Connect two TS9 Ports
Under Left Tab "1"

Connect two TS9 Ports
Under Right Tab "2"



4x4 MIMO Antenna Kit

