

HD Omni Series M2M IoT Antenna Specifications
 Cellular 4G LTE CBRS 5G NR / WiFi HaLow (902~928Mhz)
 Magnetic Mount w/ 12ft Coax Cable

| | |
|---|--|
| 4G LTE CBRS 5G NR Frequency Range | 617-960MHz / 1710-4000MHz |
| 4G CBRS 5G NR Avg Peak Gain <i>Isotropic</i> WiFi HaLow Avg Peak Gain <i>Isotropic</i> | (3dBi) 617~960MHz / (5dBi) 1710-4000MHz / (5dBi) CBRS 3.5GHz (5dBi) WiFi HaLow (902~928Mhz) |
| Typical Efficiency 4G 5G | 617-960MHz >50% 1710-4000MHz >50% |
| Typical Efficiency WiFi <i>HaLow</i> | >50% |
| Horizontal Half Power Beamwidth | 360° / 360° |
| Vertical Half Power Beamwidth | 40° / 20° |
| VSWR | ≤1.5 / ≤1.5 |
| Nominal Impedance | 50Ω |
| Polarization Radiation | Vertical Omni Directional |
| Max. Power | 50W |
| Mechanical / Environmental Specifications | |
| Mast | Stainless Steel Height: 12.75" / 324mm |
| Antenna Connector Type | All Standard RF Connector Ends Available |
| Mount | 3.15" Rare Earth Magnetic Mount Base w/ 12ft AGA200 Coax Cable |
| Ingress Protection | IP67 |
| Wind Velocity | 140 MPH |
| Operating Temp (°F) | -40° / +158° (°F) |
| Weight | 1lbs / 0.45kg <i>Including Magnetic Mounting Hardware</i> |



HD Omni Series Cellular 4G 5G NR Antenna
 Omni Directional Cellular 4G LTE CBRS 5G NR / WiFi HaLow
 Includes Magnetic Mount Base w/ 12ft Coax Cable
 * Contact Us For HD HaLow WiFi Configuration Options

Supported Cellular Service Provider Networks

| | |
|----------|--|
| Verizon | <p>Verizon 4G LTE 5G NR Bands 4G LTE: B2 B4 B5 B13 B46 B48 B66 (CBRS B48) 5G NR: N2 N5 N66 N77</p> <p>Carriers (MVNOs) using Verizon Network: <i>Reach Mobile, Red Pocket Mobile, Spectrum Mobile, Ting Total, Tracfone, Twigby, US Mobile, Visible, Xfinity Mobile</i></p> |
| T-Mobile | <p>Mobile 4G LTE 5G NR Bands 4G LTE: B2 B4 B5 B12 B25 B26 B41 B48 B66 B71 (CBRS B48) 5G NR: N25 N41 N66 N71</p> <p>Carriers (MVNOs) using T-Mobile Network <i>Mint Mobile, TextNow, Lyca Mobile, Metro, Red Pocket Mobile Republic Wireless, Simple Mobile, Ting, Tracfone, US Mobile</i></p> |
| AT&T | <p>AT&T 4G LTE 5G NR Bands 4G LTE: B2 B4 B5 B12 B14 B17 B29 B30 B48 B66 (CBRS B48) GSM: 1900MHz 5G NR: N2 N5 N66 N77</p> <p>Carriers (MVNOs) using AT&T Network <i>Cricket Wireless, Net 10 Wireless, Red Pocket Mobile, Straight Talk</i></p> |

Supported Cellular Bands

| | |
|--------------|--|
| 5G NR Bands | n1 n2 n3 n5 n7 n8 n12 n13 n14 n18 n20 n25 n26 n28 n29 n30 n38 n40 n41 n48-CBRS n66 n71 n75 n76 n77 n78 n79 C-band |
| 4G LTE Bands | B1 B2 B3 B4 B5 B7 B8 B12 B13 B14-FirstNet B17 B18 B19 B20 B25 B26 B28 B29 B30 B32 B38 B39 B40 B41 B42 B43 B46-LAA B48-CBRS B66 B71 |
| 3G Bands | B1 B2 B3 B4 B5 B6 B8 B9 B19 |

Supported WiFi IEEE Standards

| | |
|--------------|--|
| * WiFi HaLow | WiFi HaLow (802.11ah) * Contact Us For HD HaLow WiFi Configuration Options |
|--------------|--|



HD Omni Series Cellular 4G 5G NR Antenna
 Omni Directional Cellular 4G LTE CBRS 5G NR / WiFi HaLow
 Includes Magnetic Mount Base w/ 12ft Coax Cable
 * Contact Us For HD HaLow WiFi Configuration Options

HD Omni Series Antenna
 Dimensions / Magnetic Mount

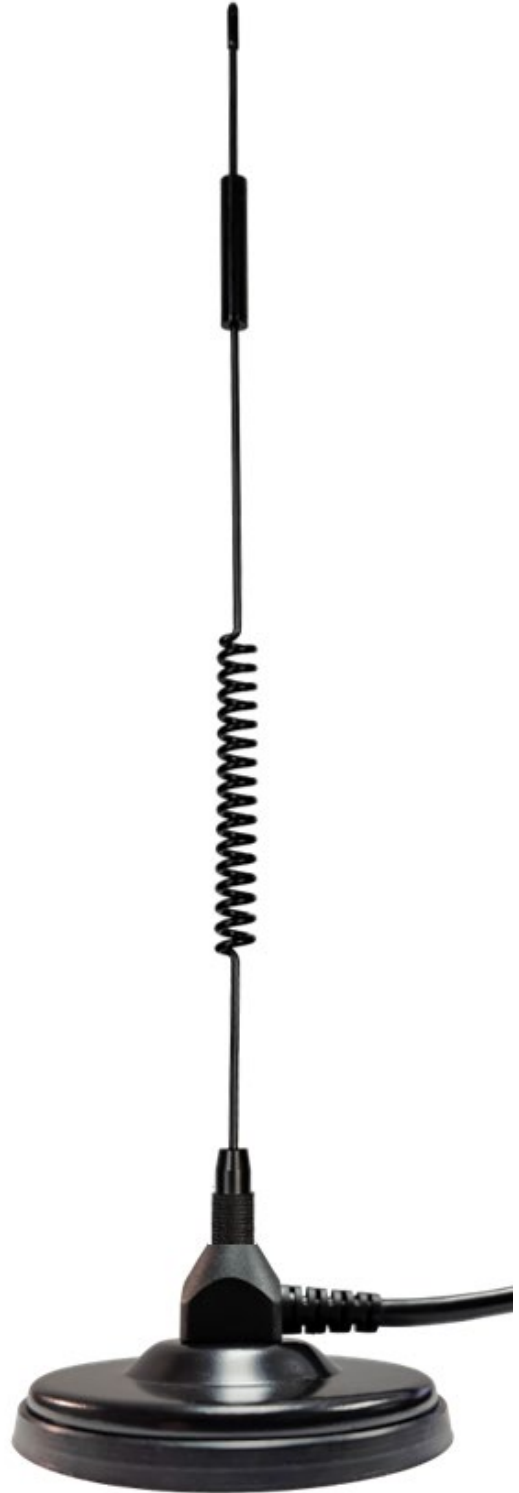
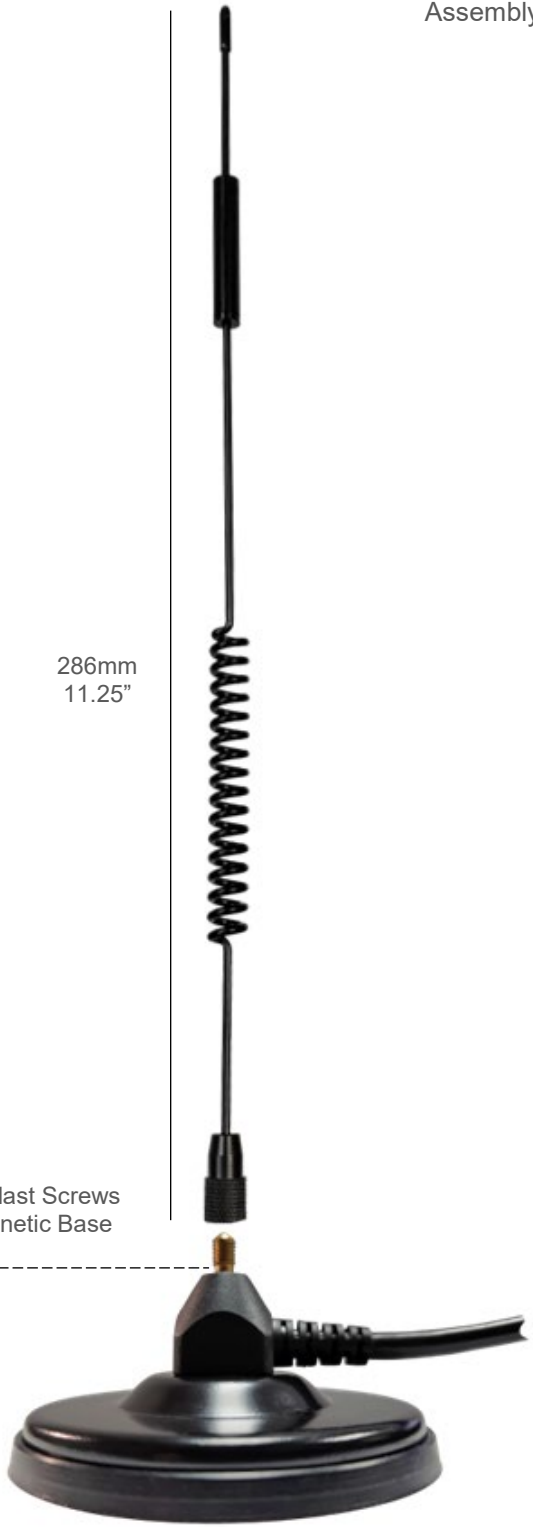
Assembly Instructions

286mm
 11.25"

324mm
 12.75"

Antenna Mast Screws
 Onto Magnetic Base

38mm
 1.50"



3.15" Mag Base

HD Omni Series Antenna – Includes Magnetic Mount Base w/ 12ft Coax Cable
 "Built To Spec" Custom Cable Options are Available. Contact us for details.

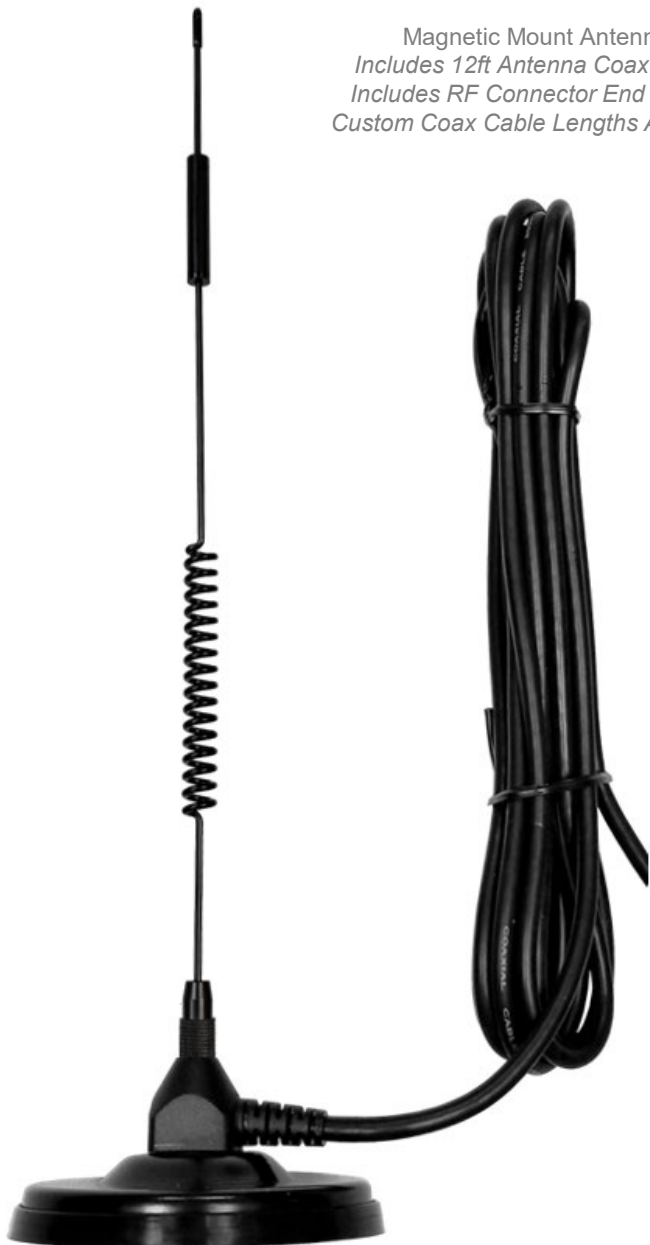




HD Omni Series Cellular 4G 5G NR Antenna
 Omni Directional Cellular 4G LTE CBRS 5G NR / WiFi HaLow
 Includes Magnetic Mount Base w/ 12ft Coax Cable
 * Contact Us For HD HaLow WiFi Configuration Options

HD Omni Series Antenna Configuration Options – *Magnetic Mount w/ 12ft Coax Cable*

| | |
|-----------------------|--|
| Configuration Options | HD-12-SM: Cellular 4G 5G Magnetic Mount Antenna w/ 12ft Coax Cable – SMA Male HD-12-FF: Cellular 4G 5G Magnetic Mount Antenna w/ 12ft Coax Cable – FME Female HD-12-TM: Cellular 4G 5G Magnetic Mount Antenna w/ 12ft Coax Cable – TNC Male HD-12-SMCM: Cellular 4G 5G Magnetic Mount Antenna w/ 12ft Coax Cable – SMC Male HD-12-NF: Cellular 4G 5G Magnetic Mount Antenna w/ 12ft Coax Cable – N Female HD-12-FAKRA: Cellular 4G 5G Magnetic Mount Antenna w/ 12ft Coax Cable – FAKRA |
|-----------------------|--|



Magnetic Mount Antenna
 Includes 12ft Antenna Coax Cable
 Includes RF Connector End Option
 Custom Coax Cable Lengths Available

Magnetic Mount Connector End Options

