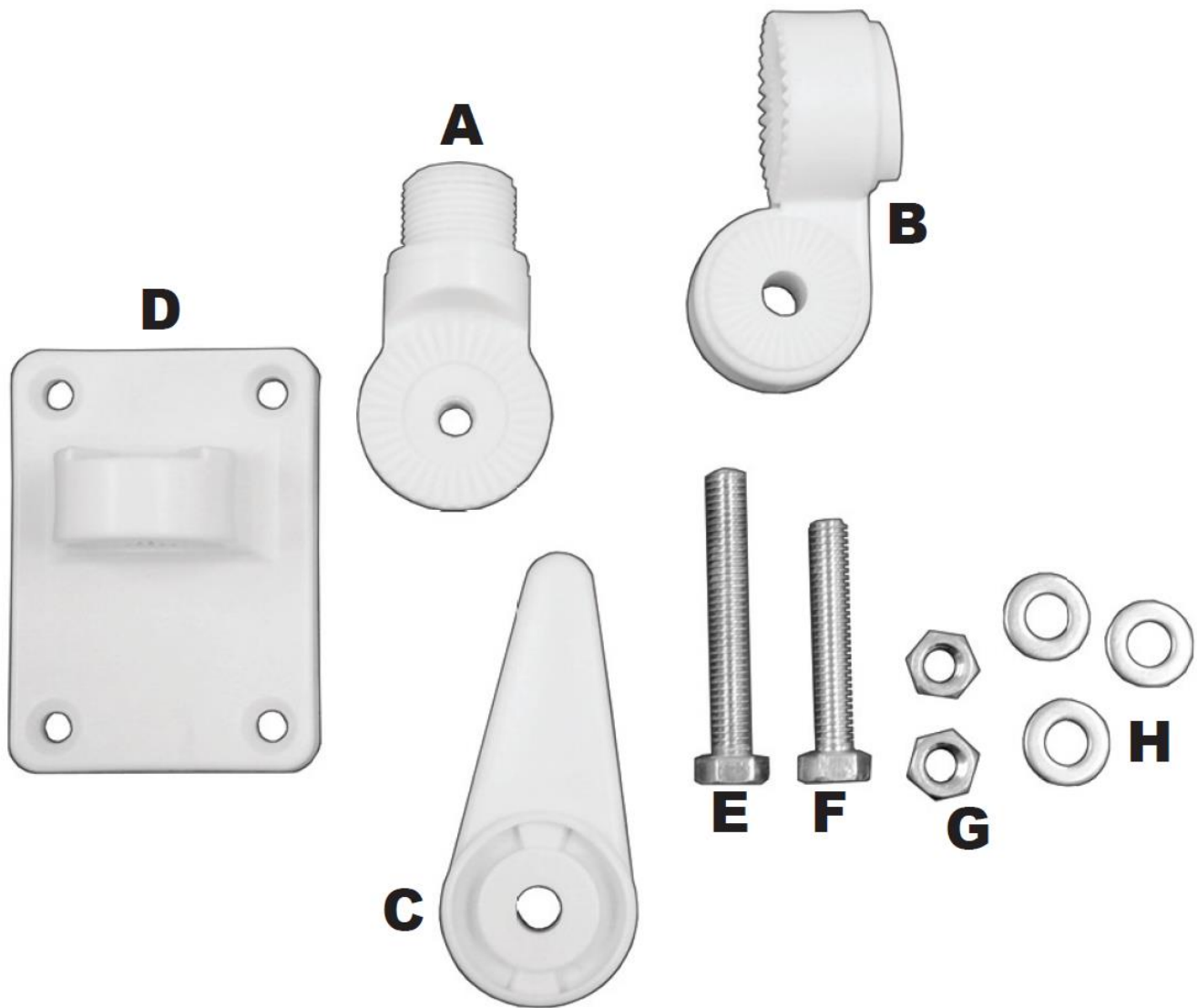




AntennaGear, LLC
11925 Montgomery Rd - Ste 1
Cincinnati, OH 45249-2000
513.770.1087 / Sales@AntennaGear.net

ASSEMBLY INSTRUCTIONS FOR THE MARINE ANTENNA MOUNT





Part Descriptions:

A - Threaded mounting arm

B - Angle adjusting arm

C - Cinching arm

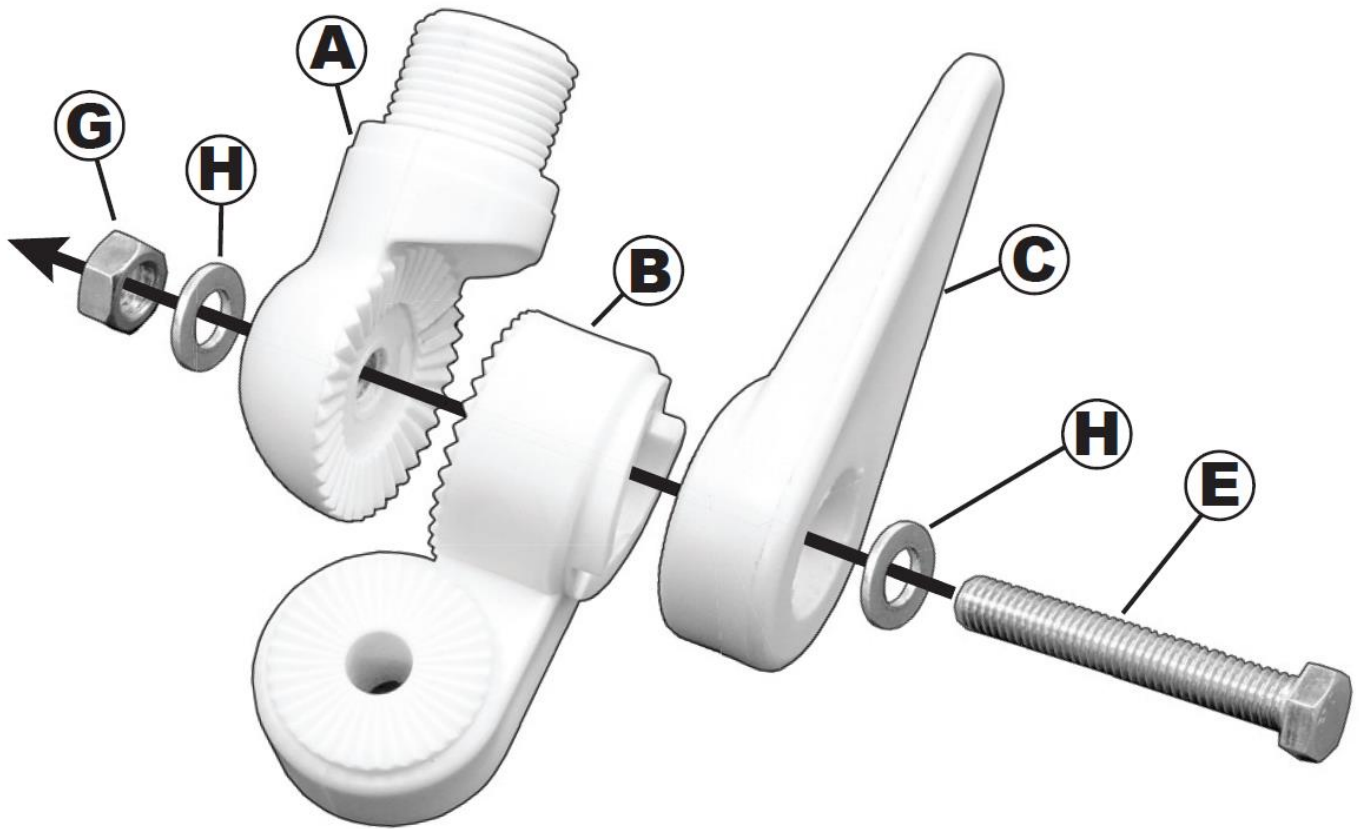
D - Antenna mount base

E - 2-1/2" Bolt

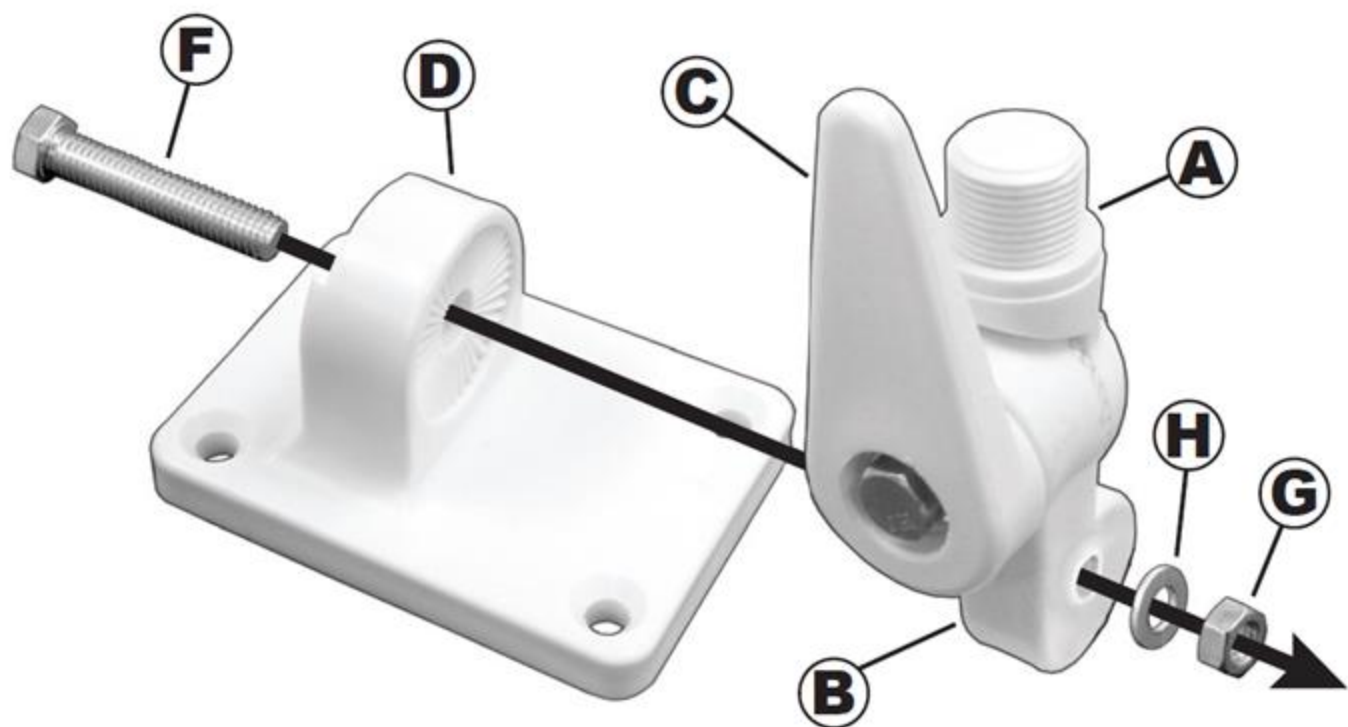
F - 2" Bolt

G - Nut (2)

H - Washer (3)



1. Arrange parts **A**, **B** and **C** as shown.
2. Insert the 2-1/2" bolt (**E**) with a washer (**H**) into part **C** through part **B** and thread into part **A** until just loose enough to allow part **A** to rotate on part **B**.
3. Place washer (**H**) and nut (**G**) on the end of the 2-1/2" bolt (**E**) and tighten.
4. The position of part **A** can be locked into place by rotating the cinching arm (**C**) counter-clockwise.



5. Place the ratchet area of part **B** into the ratchet area of part **D** and insert the 2" bolt (**F**) through part **D** and part **B**.
6. Position part **B** in the proper location and lock into place with the washer (**H**) and nut (**G**).



The mount is now ready to be attached to the desired location.

Please see the instructions supplied with the marine antenna for details on the proper installation of the antenna.

AntennaGear, LLC
11925 Montgomery Rd - Ste 1
Cincinnati, OH 45249-2000
513.770.1087 / Sales@AntennaGear.net